

*Dear friends!*

COMPANY «UKR GRANITE» has a successful experience in manufacture and sale of products from Natural stone, and provides professional services of mounting it. Our specialists oriented for modern trends in architecture and design. Therefore, I am sure, that «UKR GRANITE» company offered only the best solution!

**MODERN STYLE** — it is beautiful, quality and gives you special status. Using granite and marble products, you make your house modern and beautiful, spectacular and elegant. A distinctive feature of our products is that your house becomes more reliable and comfortable for you and attractive for other people.

**PRODUCTS MADE OF MARBLE AND GRANITE**, have gorgeous and respectable appearance and in the same time it cost not too much. At correct approach of the manufacturer, the hostess can get granite countertops, the price of which will save the family budget. Main advantages of using natural stone for kitchen surfaces is that it not afraid any mechanical damages and it is long-lived material! Our company knows how to make your dream a reality! We cultivate our business by providing a wider range of natural stone from the deposits all over the world.

**FACADES, OUTSIDE AND INSIDE STAIRS, BALCONIES, FIREPLACES, SWIMMING POOLS, VASES, TILES, PATHS IN THE GARDEN, PARK SCULPTURES** and many other products. Every product is manufacturing and established by «UKR GRANITE» company. You can be sure that it will be the object of your pride and it will emphasize your status.

IF YOU WANT TO MAKE THE MODERNIZATION of your house territory, decorate the garden paths, upgrade your stairs, all of that can be simple and inexpensive with using of stone products: paving stones, monuments, granite and marble tiles, window sills, stairs, columns and etc.

**WE KNOW THE BASIC EXPECTATIONS OF OUR CLIENTS** — is the quality of the material, beauty of products, saving time and money. Our possibilities of satisfying your desires — 100%. «UKR GRANITE» company owns a powerful industrial base near Ukrainian deposits, mining granite and marble and makes prices for manufactured products the most attractive for you.

**THE COMPANY HAS A GREAT EXPERIENCE** in implementation various projects with using natural stone. We want realize your wishes, suggest ideas, give advices and care services for stone.

**WE VALUE EVERY CUSTOMER**, and we know that you expect from our company. So I am proud of «UKR Granite» team that works fast, courteous and professional. Our experts can provide information to help you to choose stone, offer an attractive and reasonable cost of services and propose you installation services.

We will be happy to work with you. You are our best client, and your desire — the law for us!

*Sincerely yours, Alex Gaidai*  
General Director  
of the **UKR GRANITE** Company



## TECHNICAL SERVICES:

- PRE-PROJECT ANALYSIS
- SUPPLY OF MATERIALS
- INSTALLATION WORK
- PERFORM THE FUNCTION AUTHOR'S AND TECHNICAL SUPERVISION OF THE PROJECT
- WARRANTY
- ACCOMPLISHMENT OF TERRITORIES
- VENTILATED FACADES
- FACADE WORK, GLAZING
- INSTALLATION OF COMPLEX ARCHITECTURAL FORMS (MONUMENTS, FOUNTAINS)
- ENTRANCE GROUPS



e-mail: [ug-granit@ukr.net](mailto:ug-granit@ukr.net)  
[www.ukr-granit.com.ua](http://www.ukr-granit.com.ua)



The project of our company ( sandstone facade )



The structure of sandstone

## SANDSTONE

SANDSTONE — IT IS A NATURAL STONE, substantially consisting of quartz particles, that bind together with the help of minerals such as silica and carbonate. Mineral composition and physical-mechanical properties sandstone contains iron ores, which give it an attractive color. This type of stone is very durable, because it consists of quartzite.

SANDSTONE — it is a stone have medium hardness, a tensile strength of contraction — 300–1000 kg/cm<sup>2</sup>.

SANDSTONE usually used as a material for walls and in facing of the buildings.

### TYPES OF INSTALLATION AND OF SANDSTONE

Sandstone Beige П-ДА.  
Seamless installationSandstone Beige П-ДА.  
Chamfer A – 4 sidesSandstone Beige П-ДА.  
Seam installationSandstone Beige П-ДА.  
Chamfer B – 4 sidesSandstone Beige П-ДЧ.  
Seamless installationSandstone Beige П-ДЧ.  
Chamfer B – 8

The project company ( facade from sandstone, dolomite)



The project company ( facade from sandstone, dolomite)



House ( facade from sandstone, granite)



Stairs (marble with art forging)



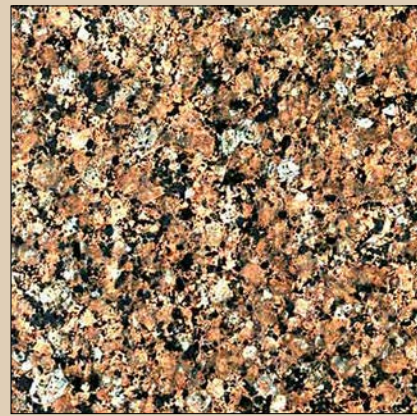
Rosso Santiago



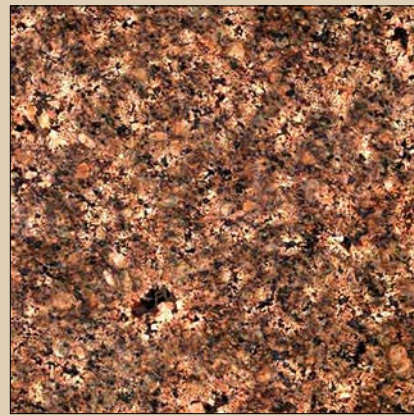
Rosso Toledo



Moon's Night



Flower of Ukraine



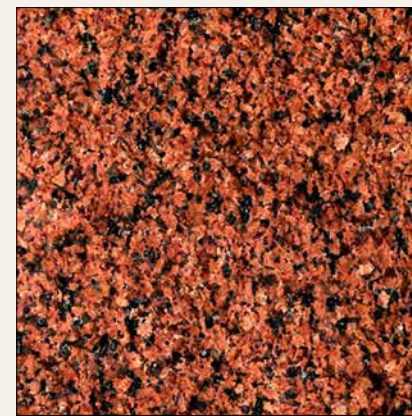
Star of Ukraine



Withered



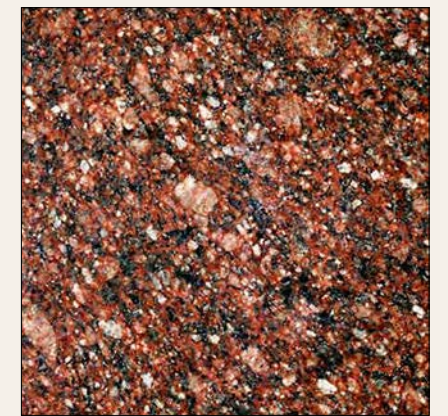
Granite table



Maple Red



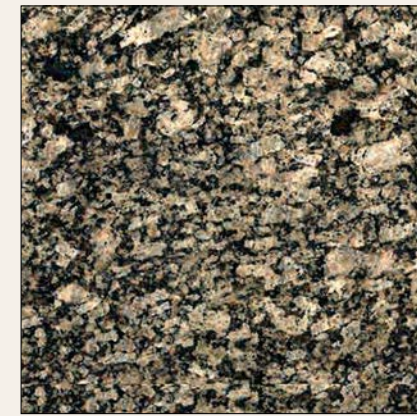
Brown Santiago



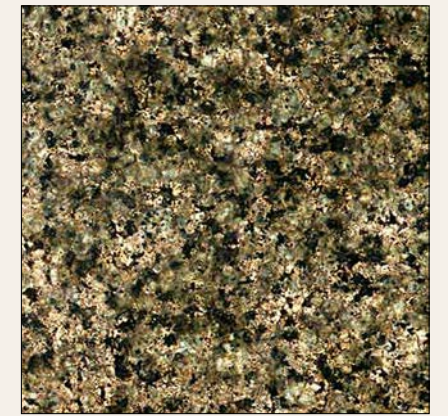
Carpazi



Ukrainian Autumn



Sophiyvsky



Chovnovske



Bathroom with Granite elements



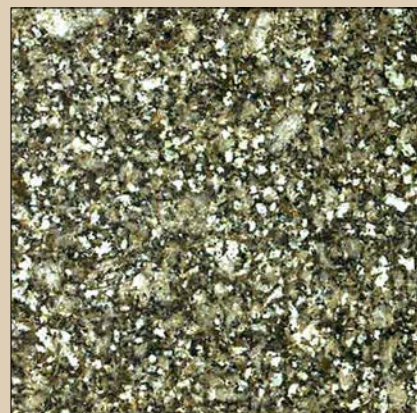
Cardinal Grey



Leopard



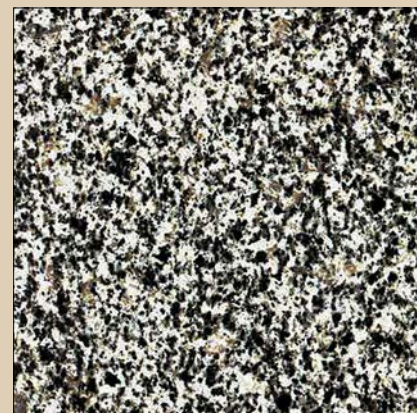
Verde Oliva



Tansky



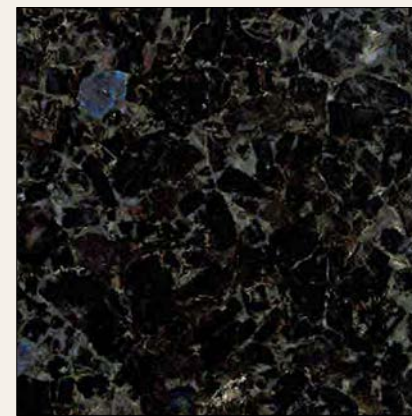
Greenish Tansky



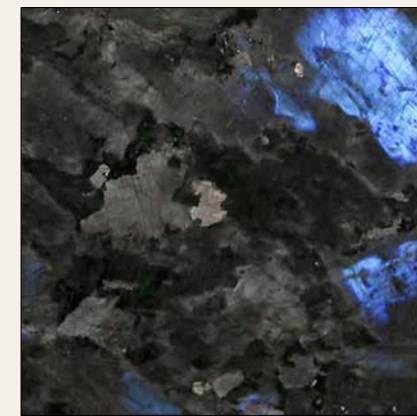
Grey Ukraine



Entrance lobby — granite



Irina Blue



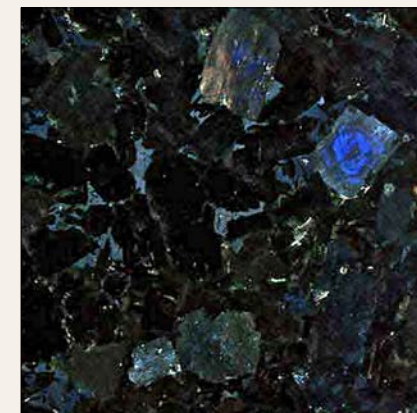
Galactic Blue



Ukrainian Night



Serpak Starry Night



Volga Blue Extra



Cometa Black



Bathroom with marble elements



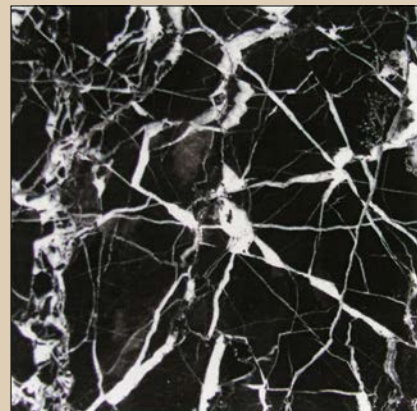
Bianco Carrara



Crystal Rose



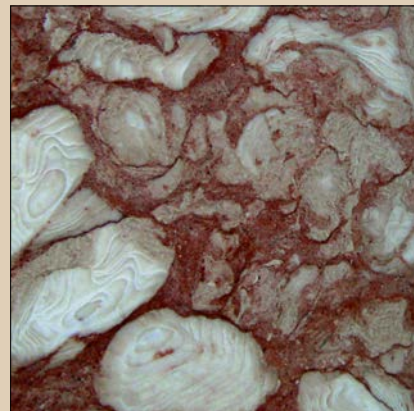
Bedasar Green



Nero Oriental



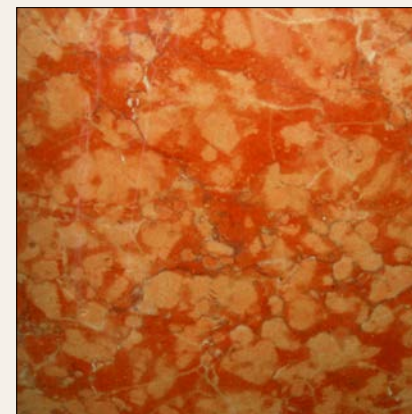
Sunny Light



Rose Fossil



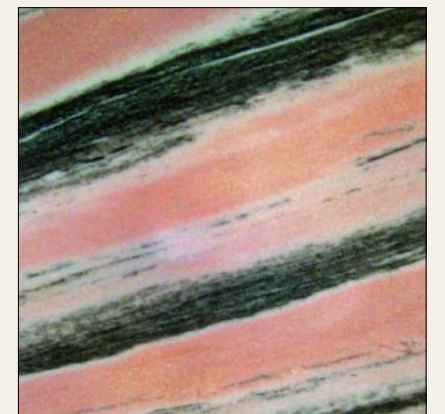
Bathroom with marble elements



Rosso Verona



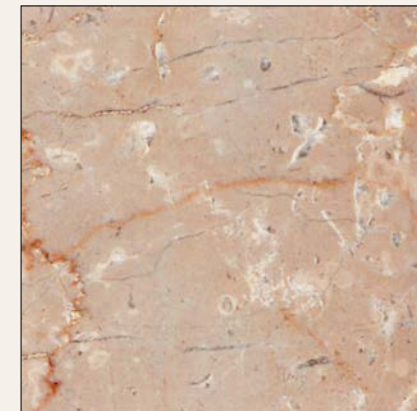
Bedasar Brown Antique



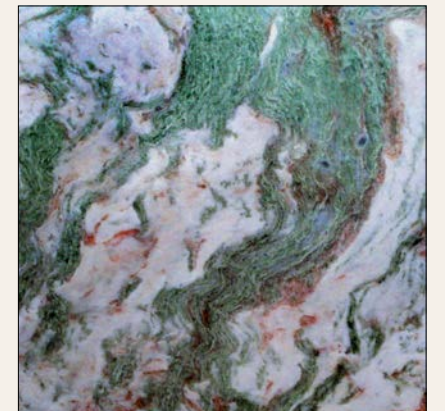
Salmon Pink



Snowberry Rose



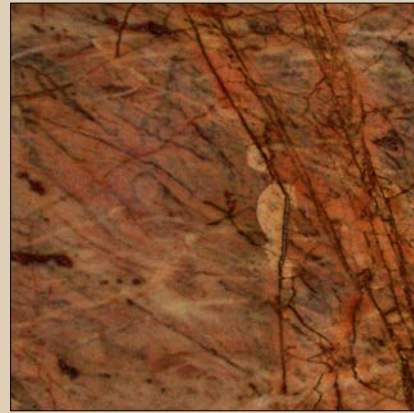
Botticino Fiorito



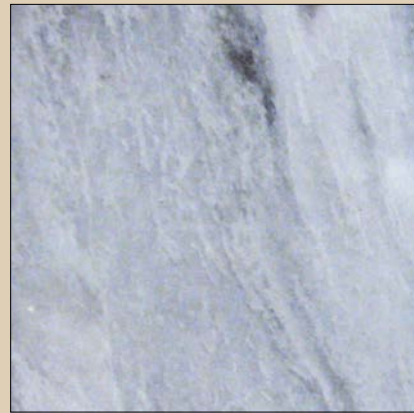
Mystic White Rose



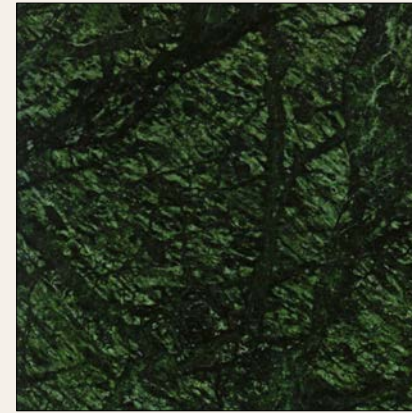
Interior with marble elements



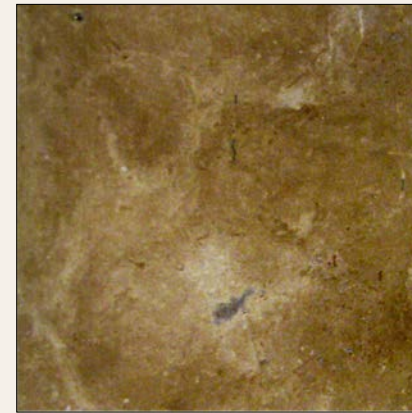
Red Alahambra



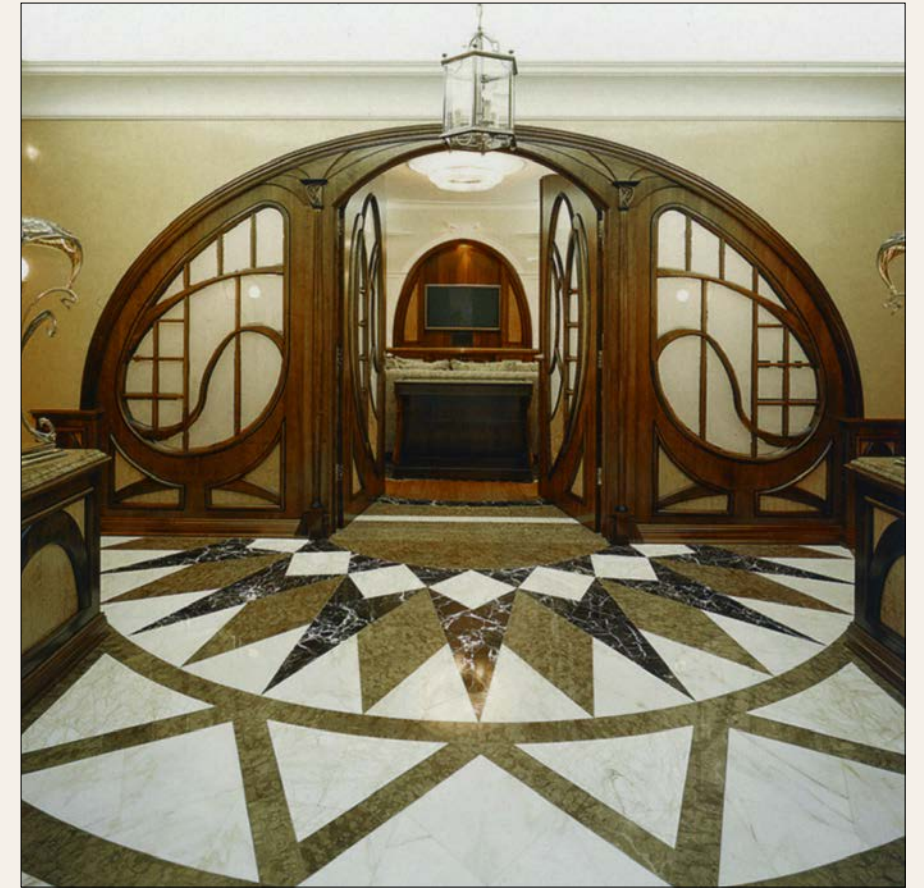
Platinum Lavkas



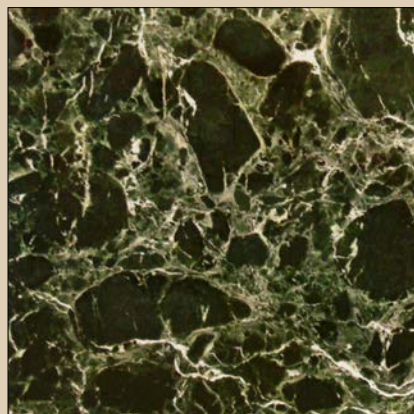
Indian Green



Tetis Brown



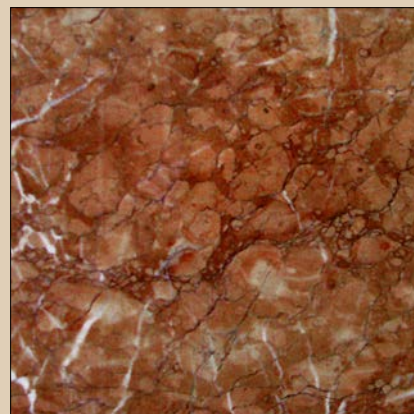
The floor with combination of different kinds of marble



Green Tinos



Salome



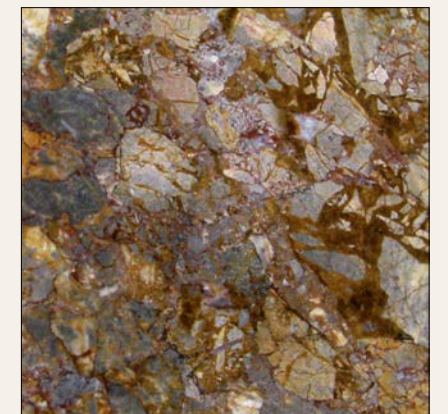
Nembro Rossoto



Pacific Rosa



Blade Grey



Cappuccino



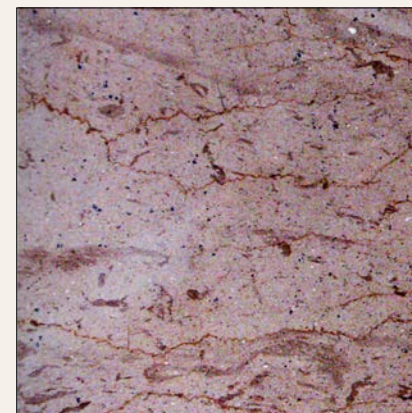
Breccia Oniciata



Liguria



Grey Flower



Janina



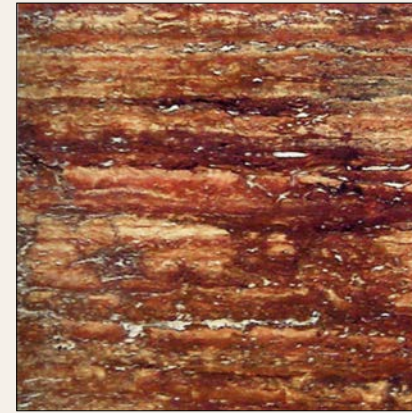
Rosso Portuguese



Calacatta Oro



Wall, onyx with backlit



Red



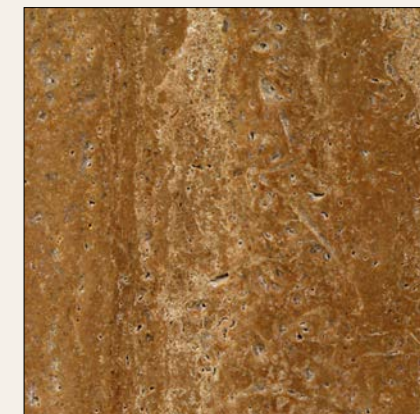
Gold



Facade — travertine



Amarillo



Night



Beige



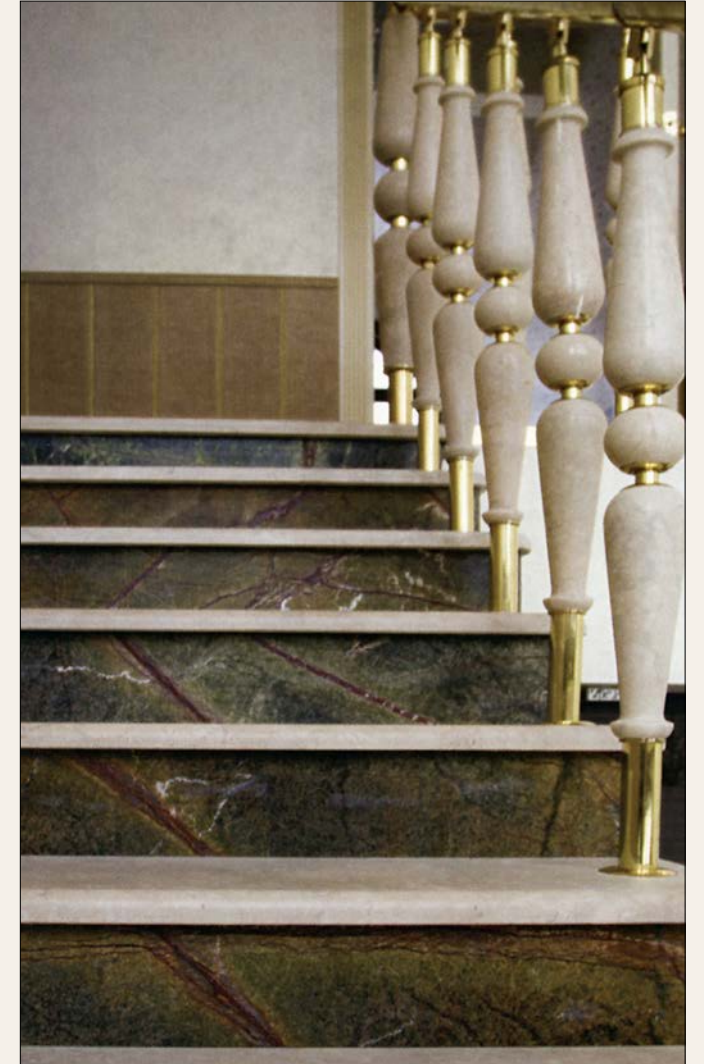
Diana Rose



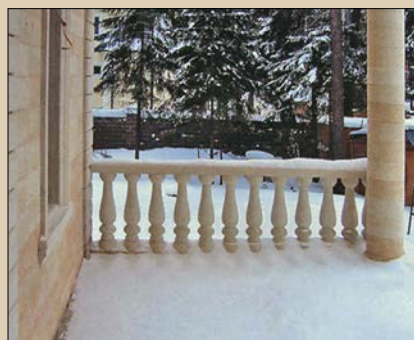
Perlato Beige

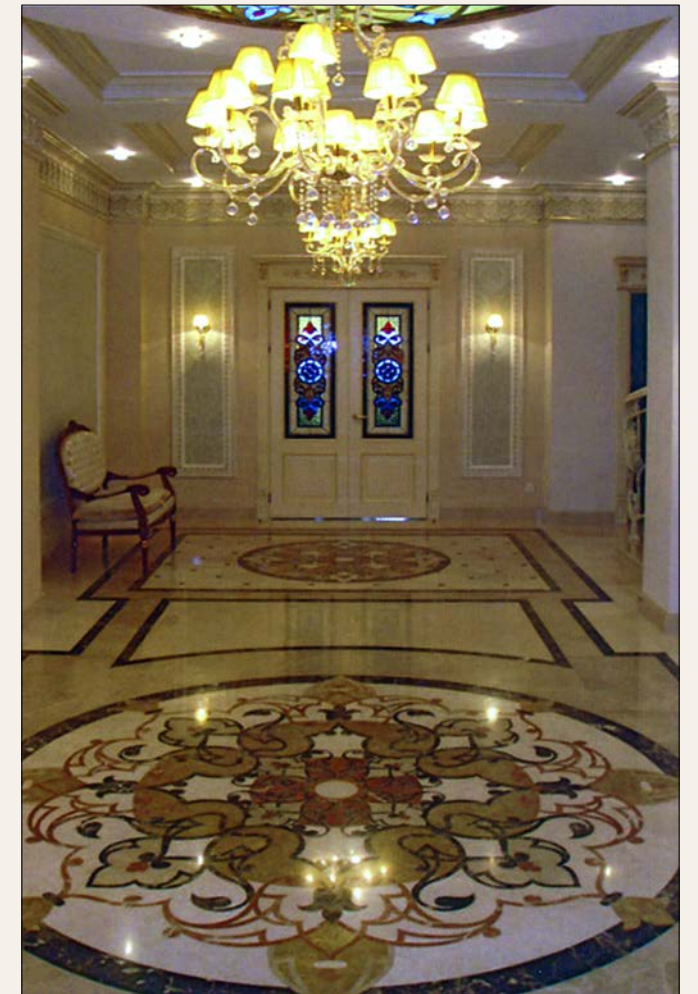


Medium



Marble stairs













COMBINATION OF NATURAL STONE AND FORGED PRODUCTS

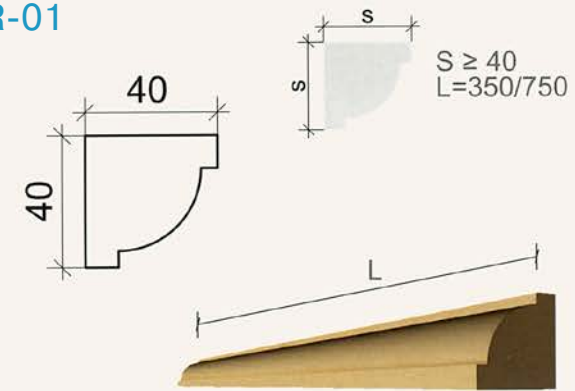
Peter I had brought from Europe special forging technology. And since that time there is a tradition to decorate houses with such a technology. The main function of iron fence was defense, but it also was very beautiful and attractive.

Wrought iron in the age of high-tech have returned to their rightful place in interior decorating and transforming of the exteriors. This material associated with elegant ease, airiness and aristocracy.

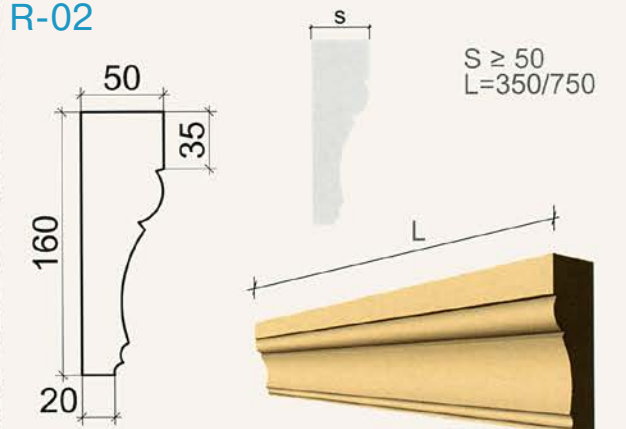
Each item is unique and keeps a piece of soul of the master. Because it is handmade and completely repeat it is unreal. For particularly demanding customers we have a possibility to manufacture the product according to their sketches.



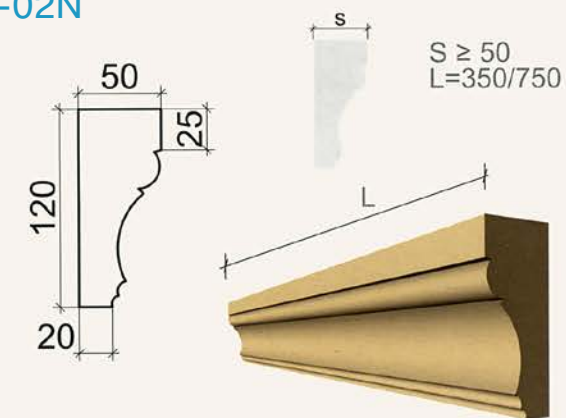
R-01



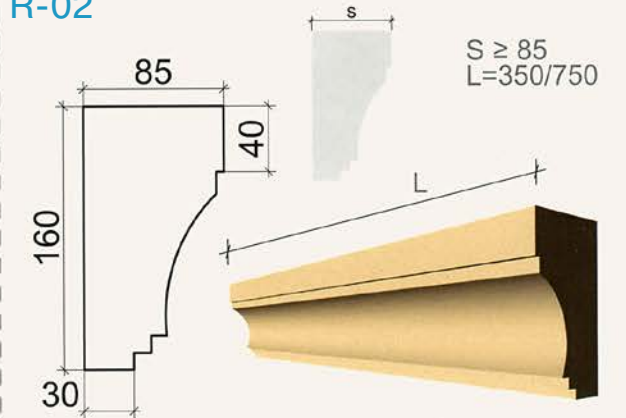
R-02



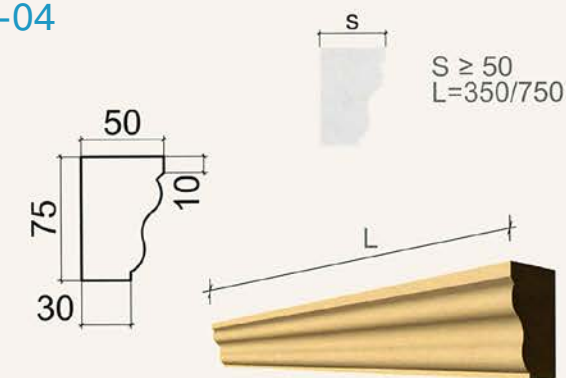
R-02N



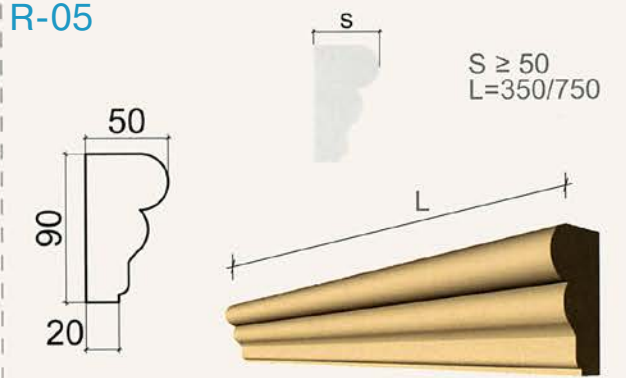
R-02



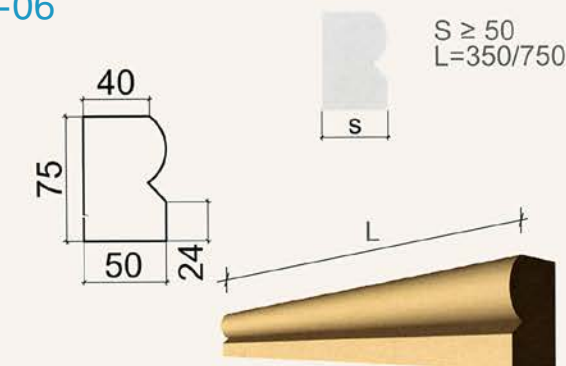
R-04



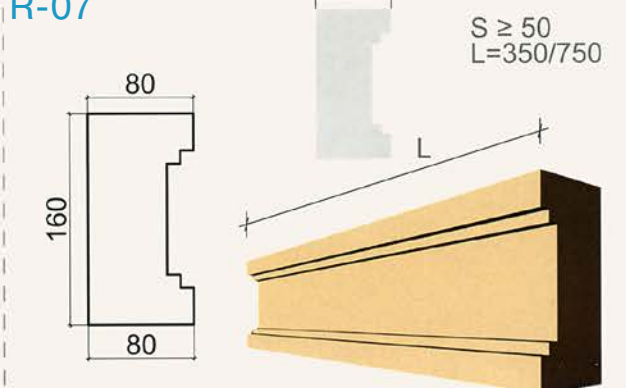
R-05

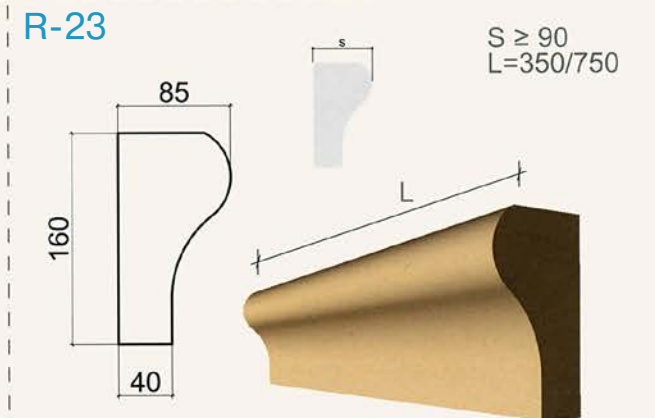
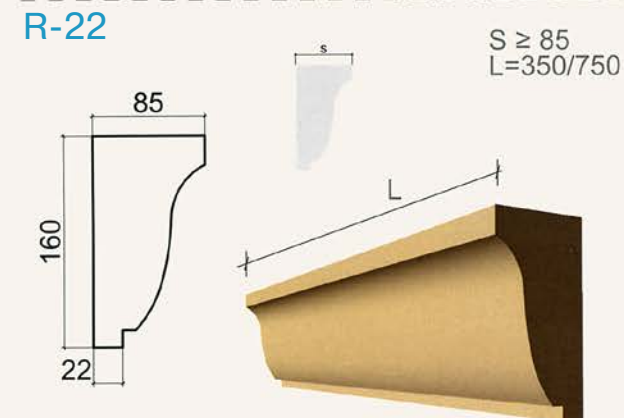
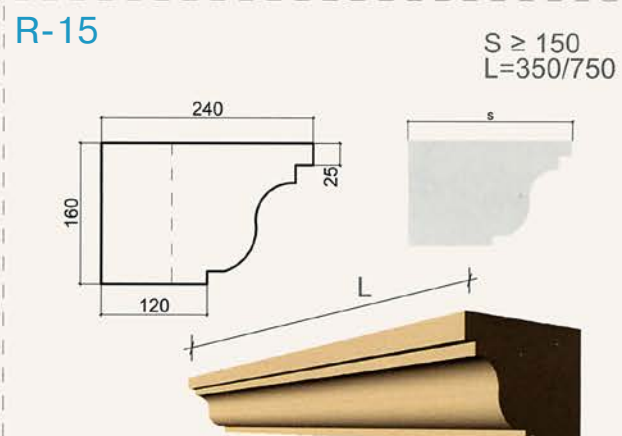
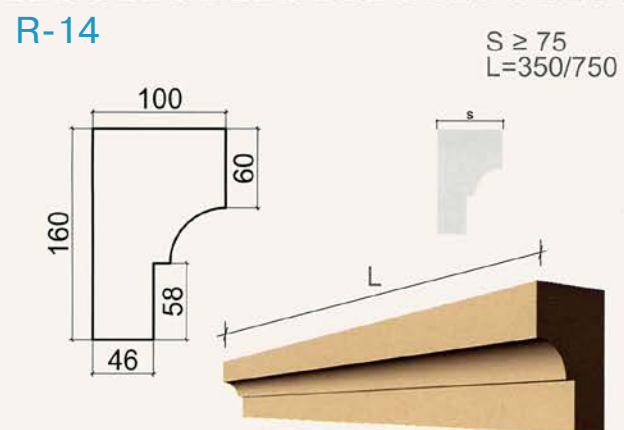
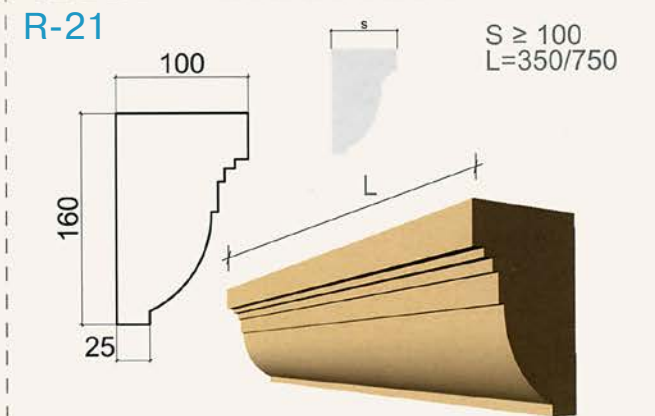
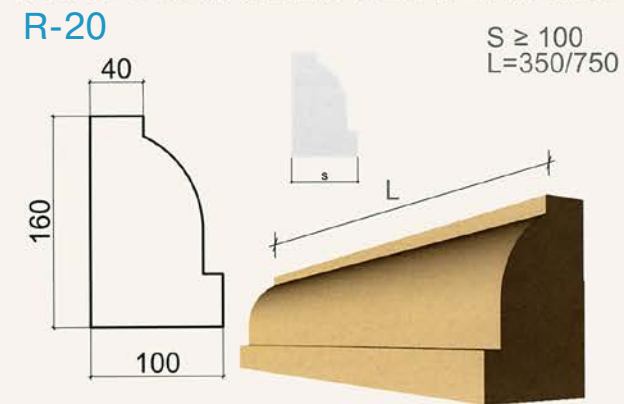
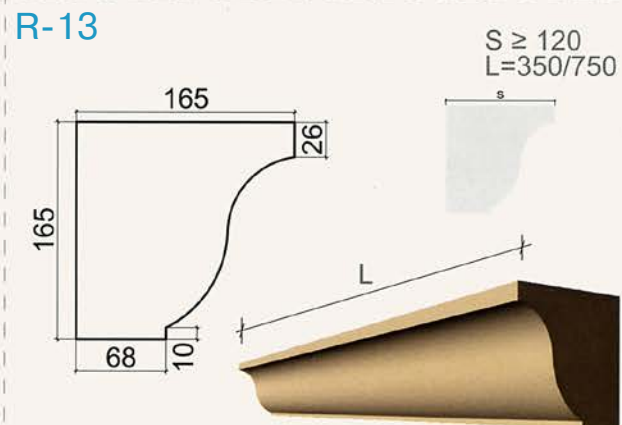
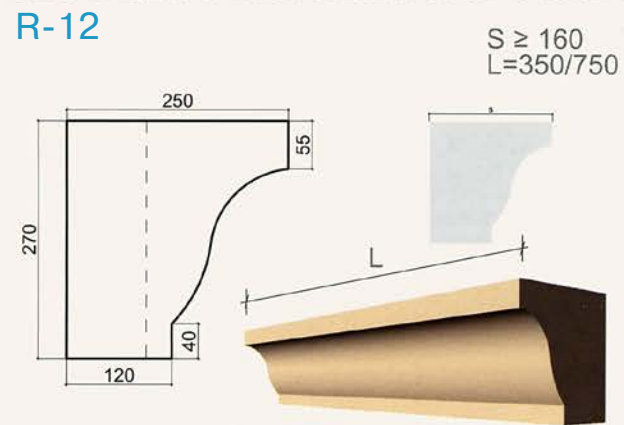
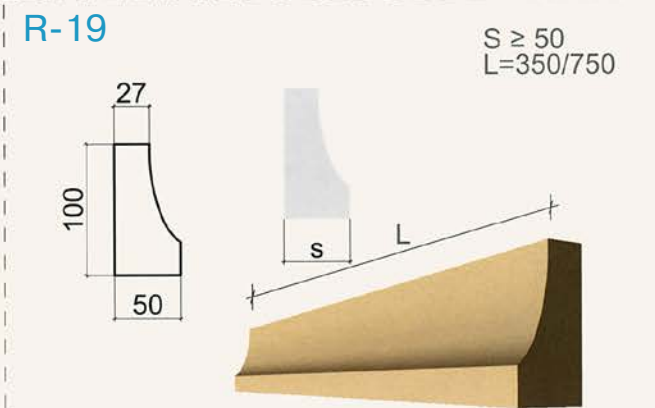
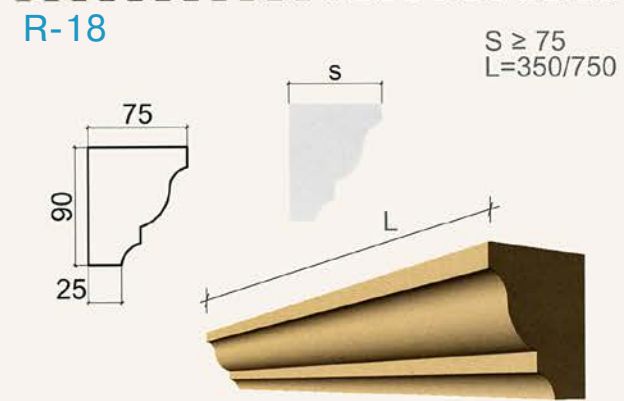
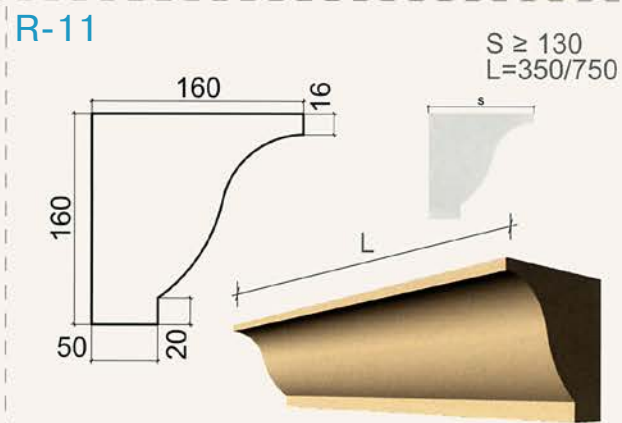
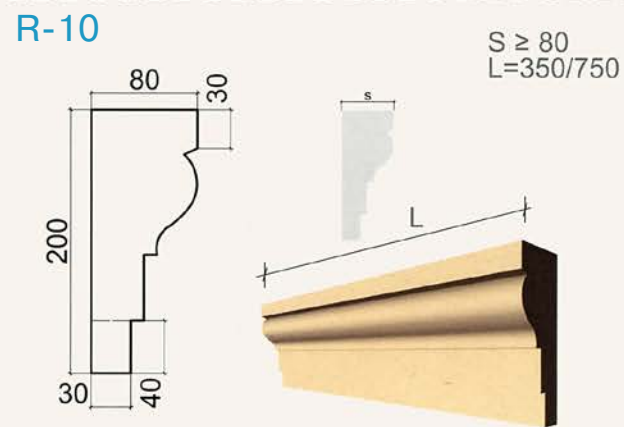
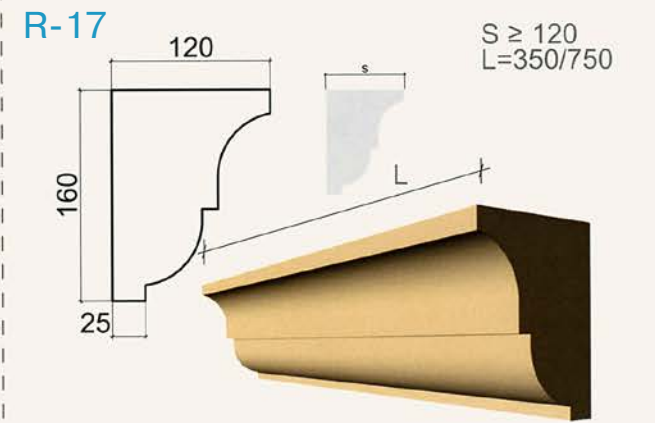
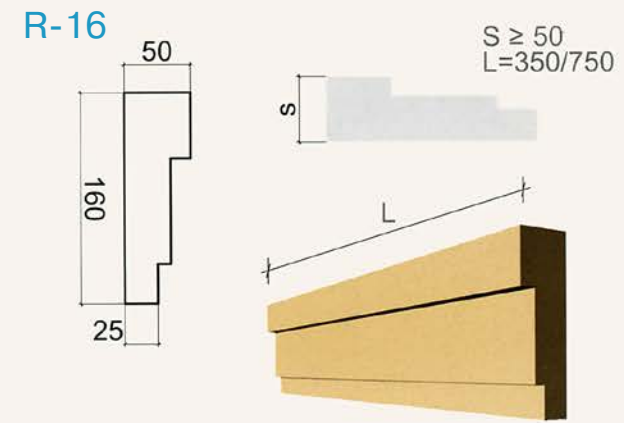
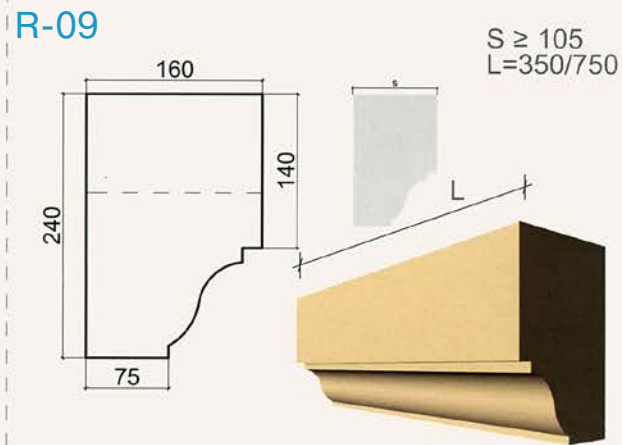
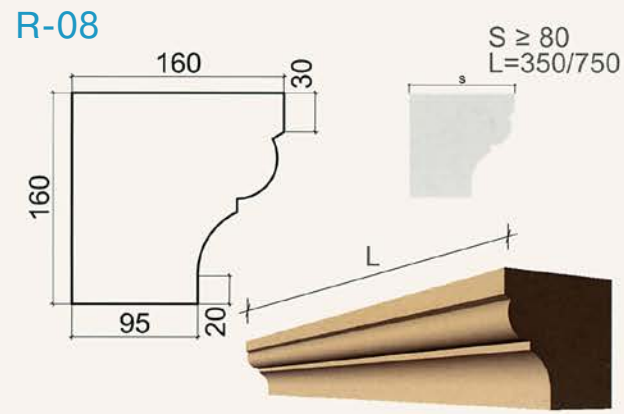


R-06



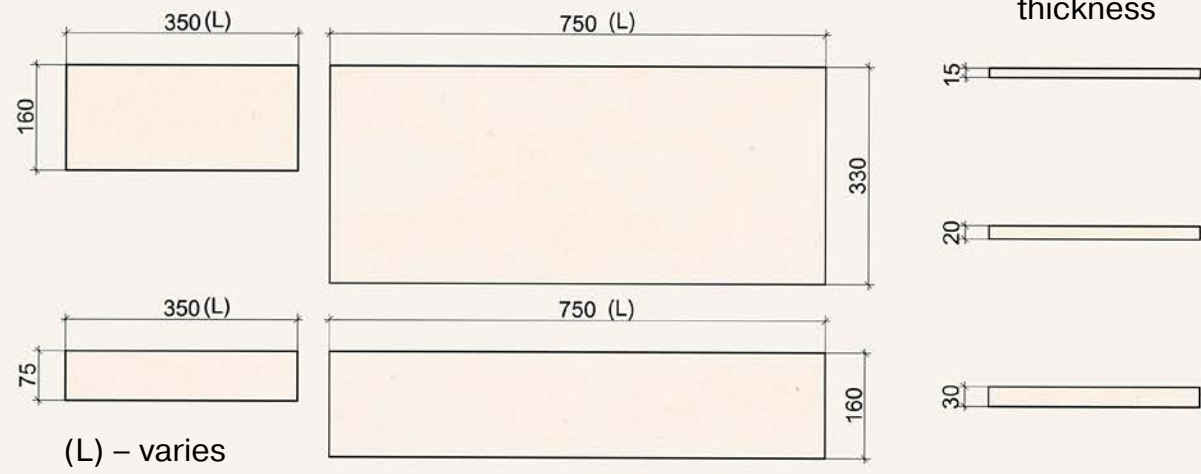
R-07



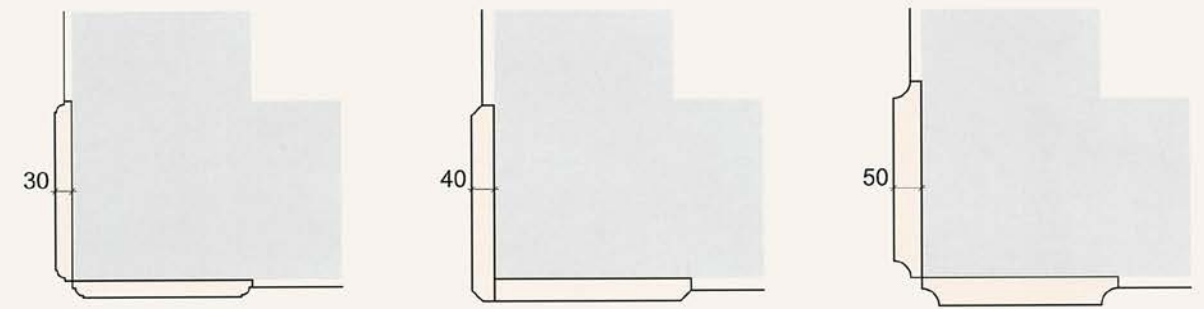




**BASIC SIZES**

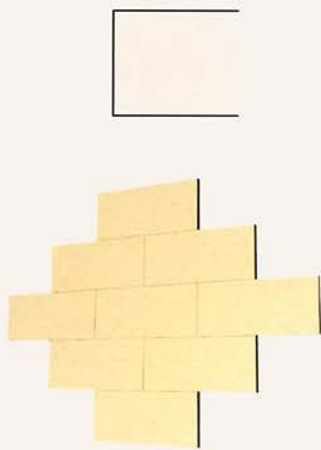


**BASIC SIZES**

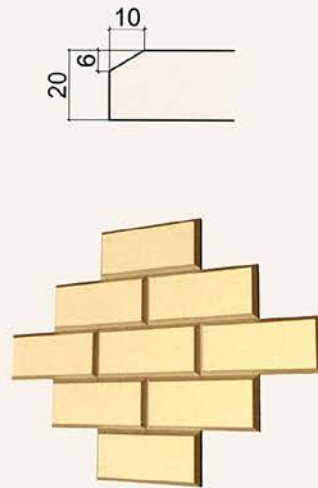


**CHAMFERS OPTIONS**

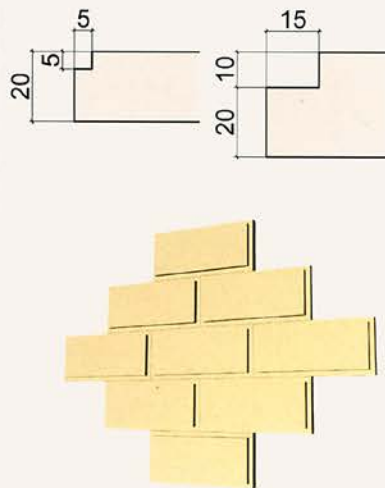
**Without chamfer**



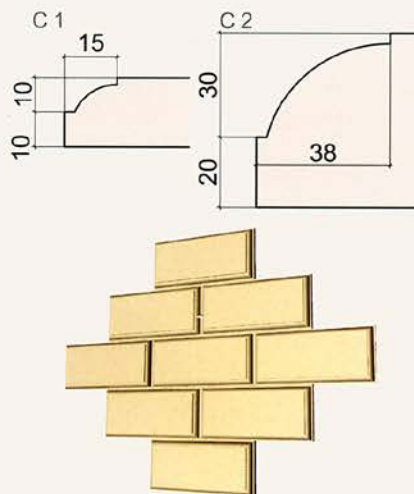
**Chamfer A**



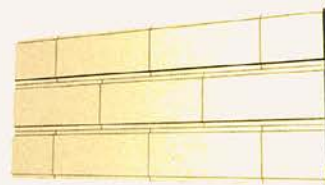
**Chamfer B**



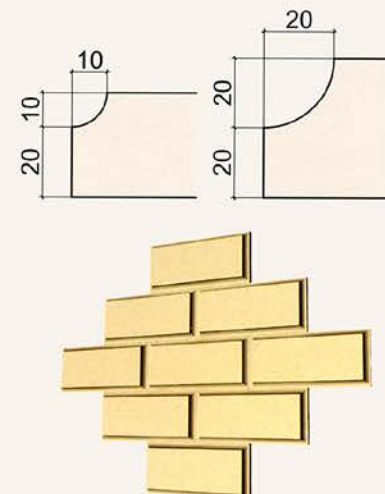
**Chamfer C**



**Two sides chamfer**



**Chamfer D**



**RUSTICS OPTIONS**

**Option 1**

Without chamfer, symmetrical  
35\*160\*330/160/



**Option 2**

Without chamfer, unsymmetrical  
35\*160\*330/160/



**Option 3**

With 2 sides chamfer  
40\*160\*330



**Option 4**

With chamfer C  
40\*160\*330



**Option 5**

With chamfer C  
40\*250\*400/320



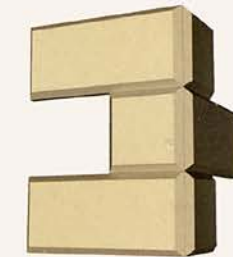
**Option 6 3**

With chamfer C  
40\*160\*330/160



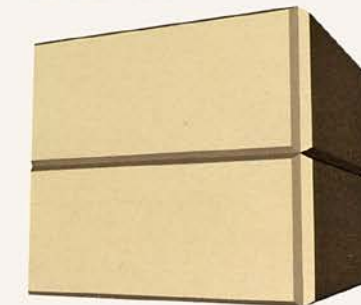
**Option 7**

With chamfer A, unsymmetrical  
40\*160\*330/160



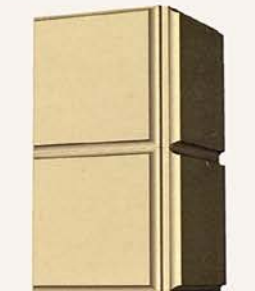
**Option 8**

With chamfer A  
50\*330\*750

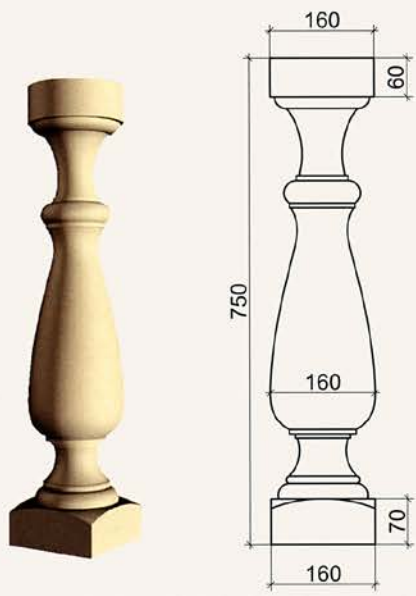


**Option 9**

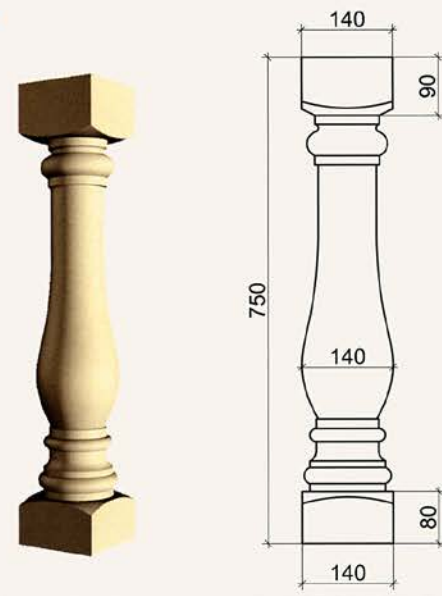
With chamfer D  
40\*330\*330



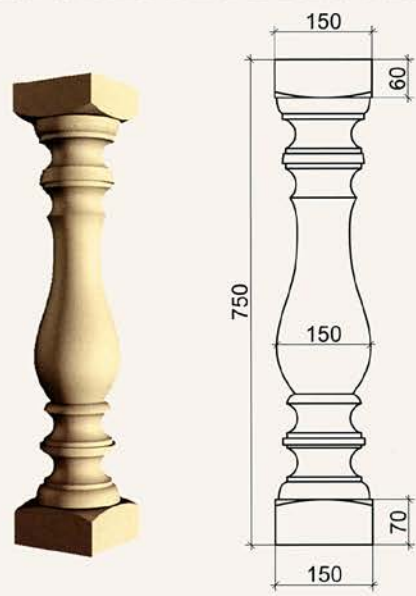
BL-01



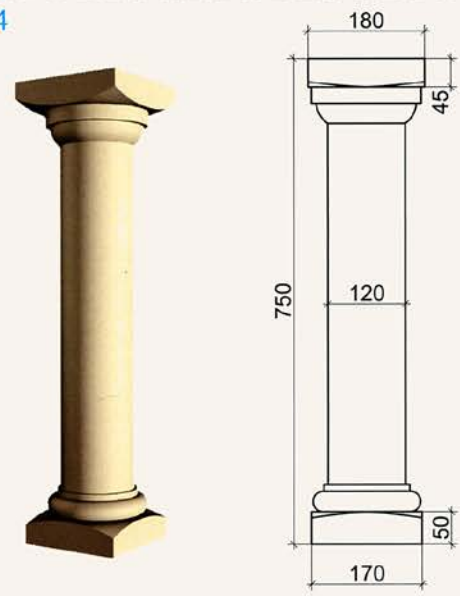
BL-02



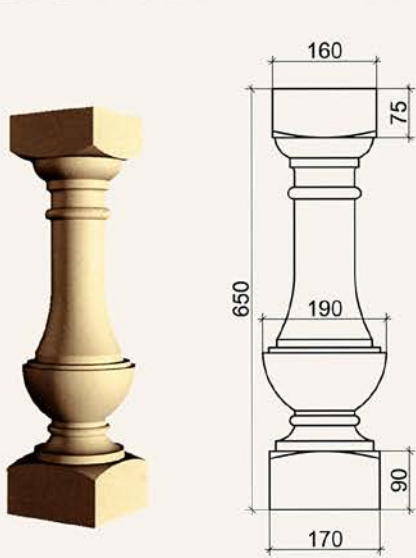
BL-03



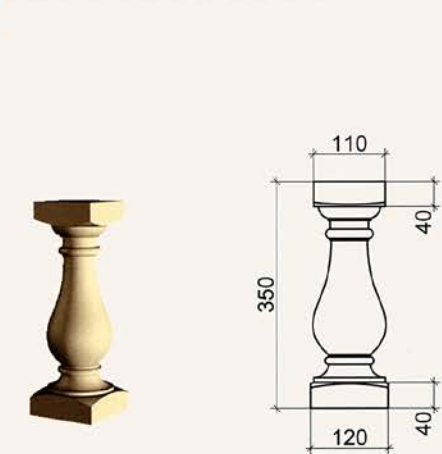
BL-04



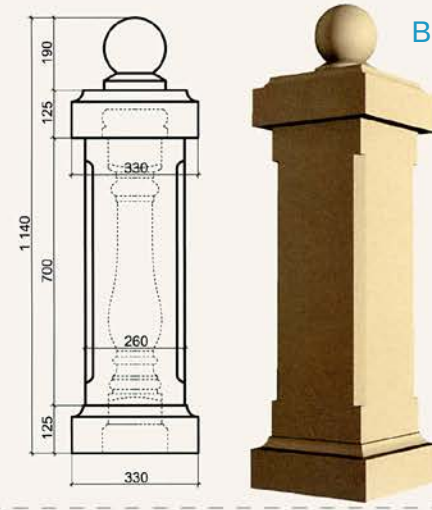
BL-05



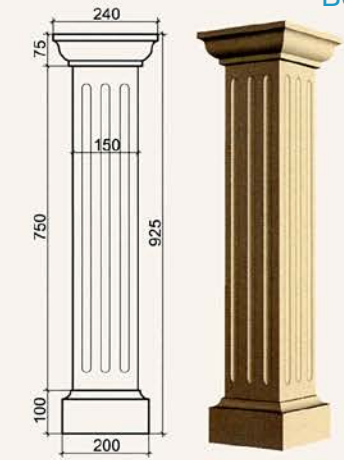
BL-06



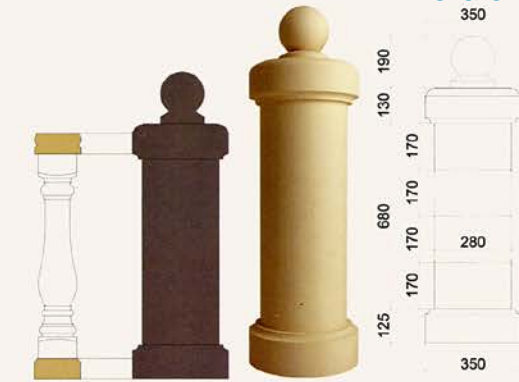
Minimum thickness balusters: 140mm



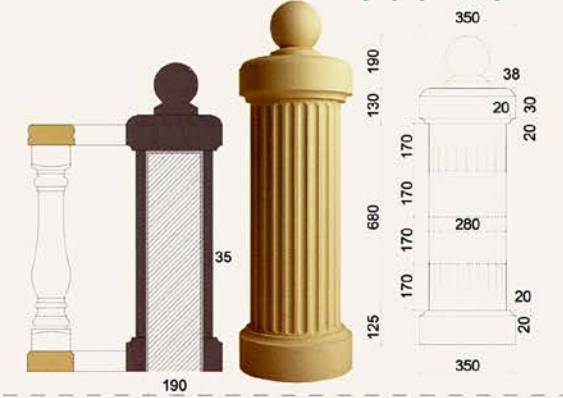
Bollard TB-01



Bollard TB-02

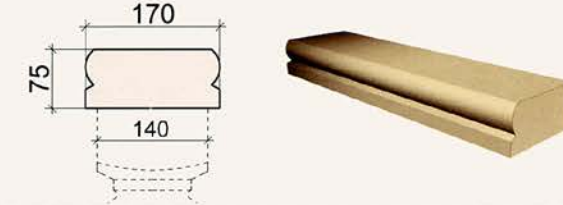


Bollard TB-03

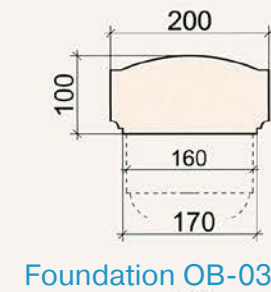
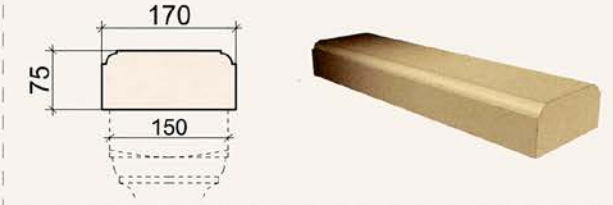


Bollard TB-04

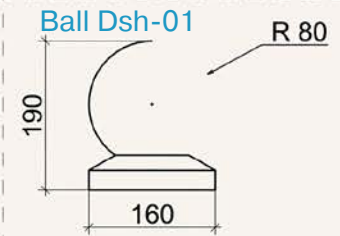
Handrail PB-01



Handrail PB-02



Foundation OB-03

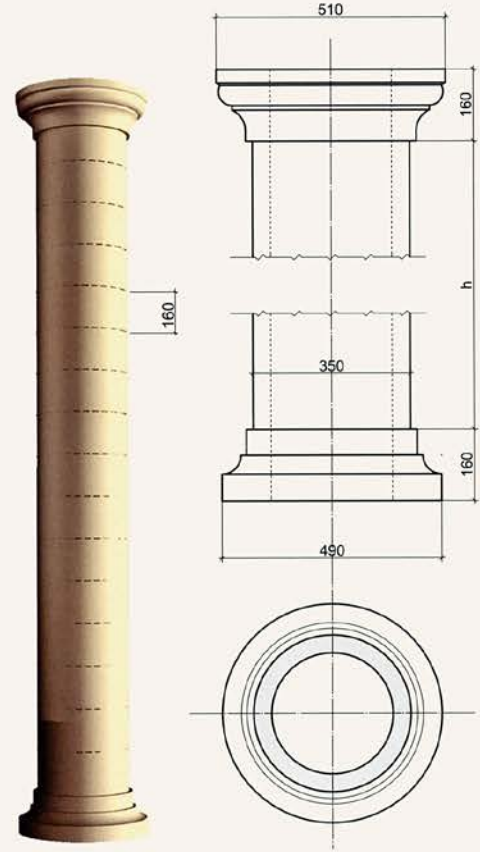


Ball Dsh-01

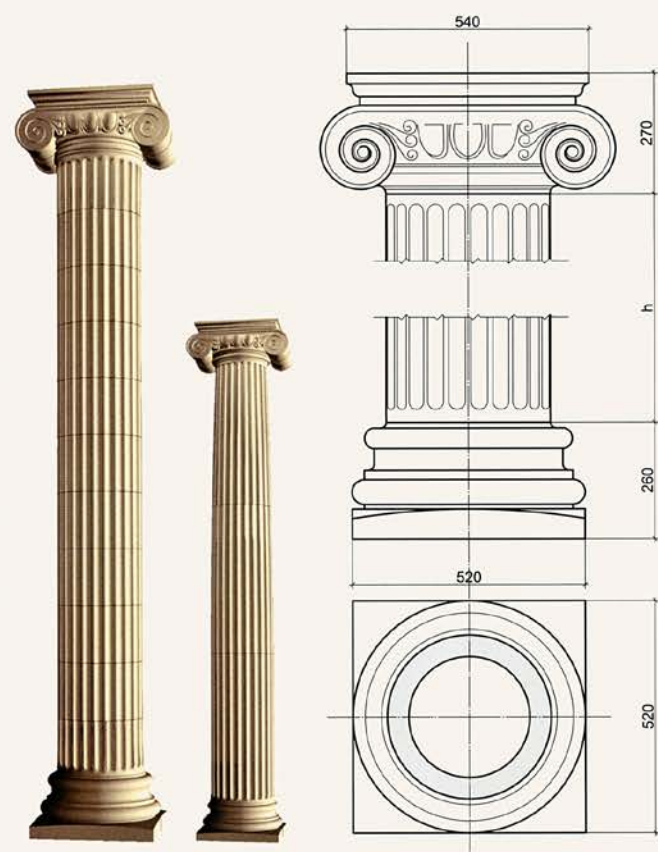


Ball Dsh-02

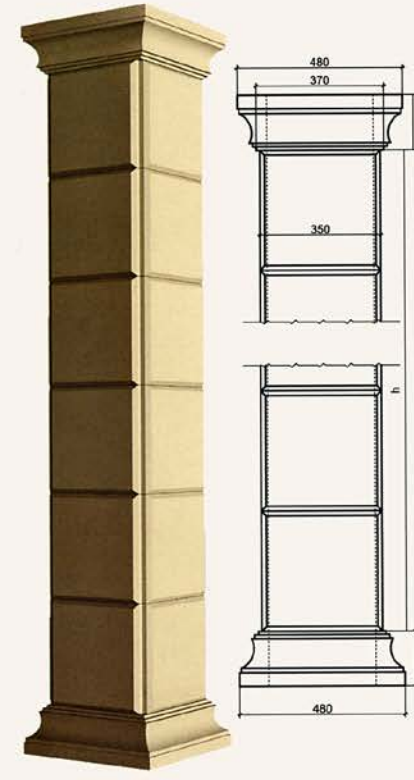
Column KN-01



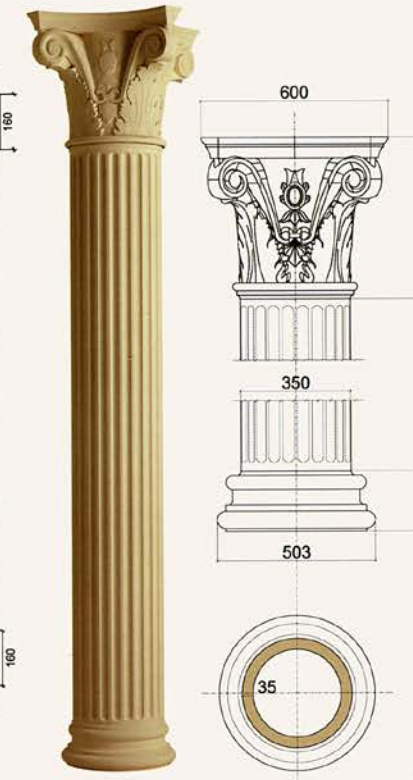
Fluted column KN-02,



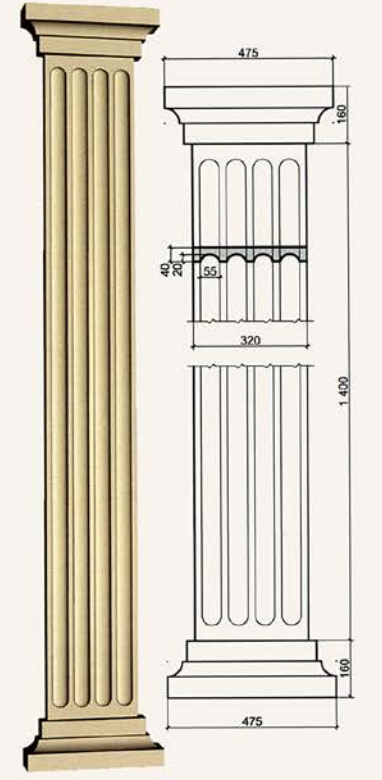
Column KN-05



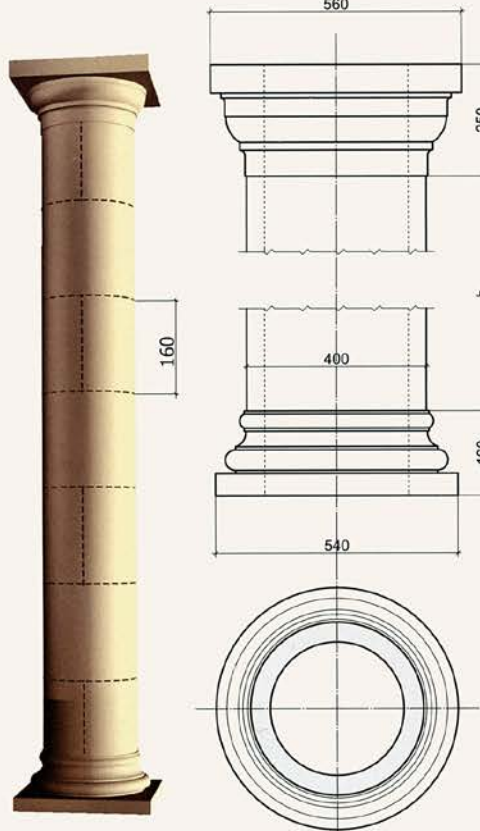
Column KN-06



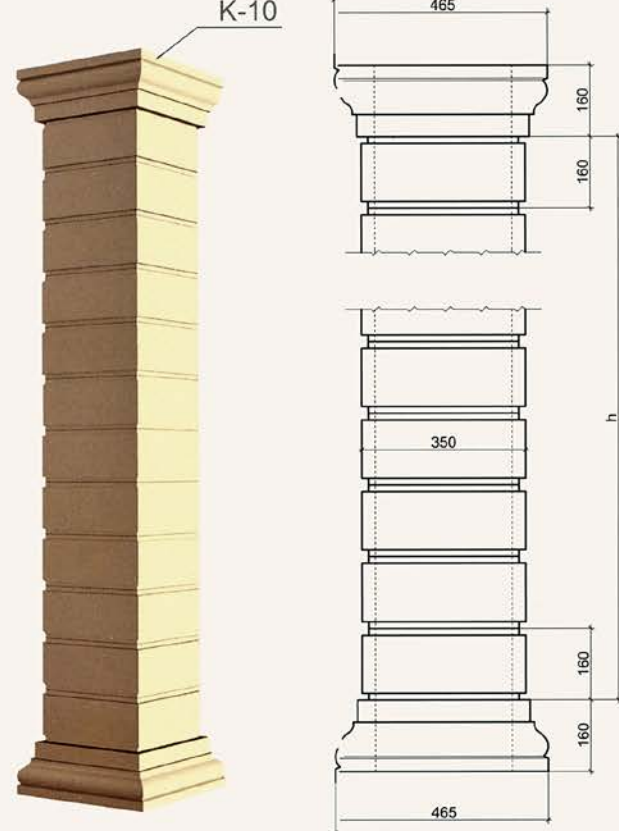
Pilaster P-01



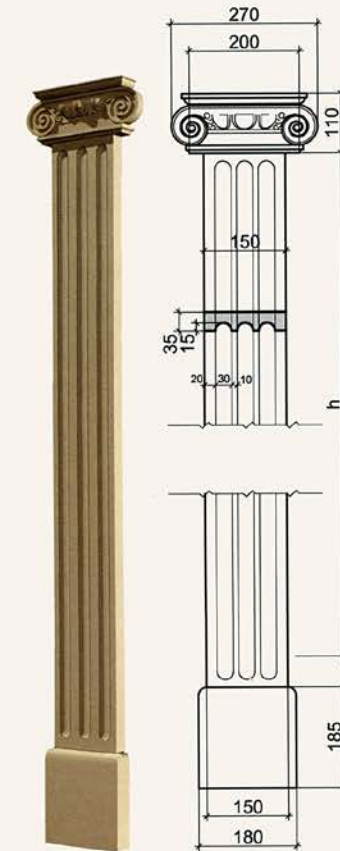
Column KN-03



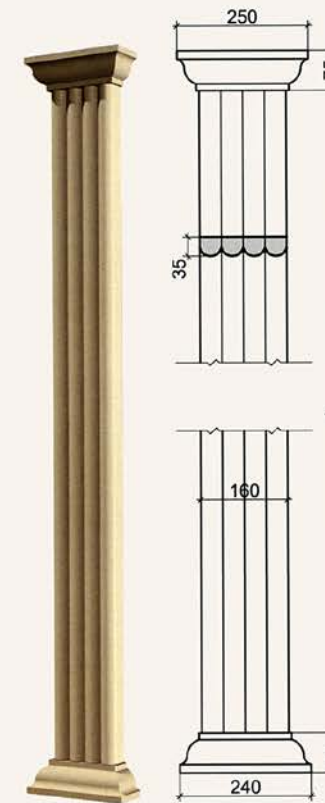
Column KN-04



Pilaster P-02



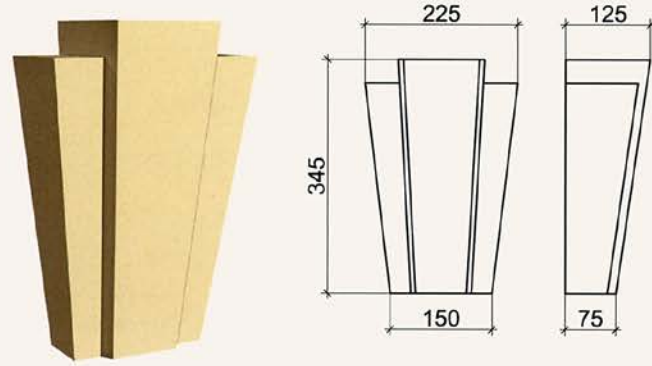
Pilaster P-03



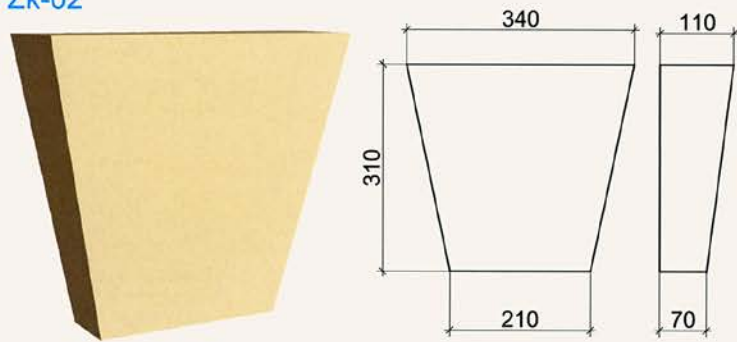
Pilaster P-04



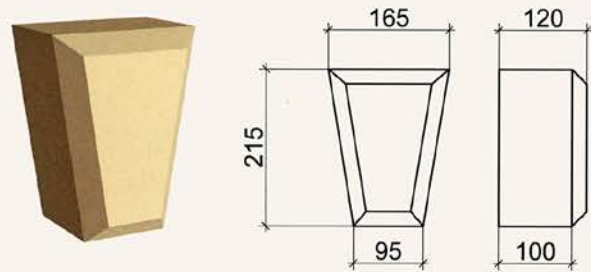
Zk-01



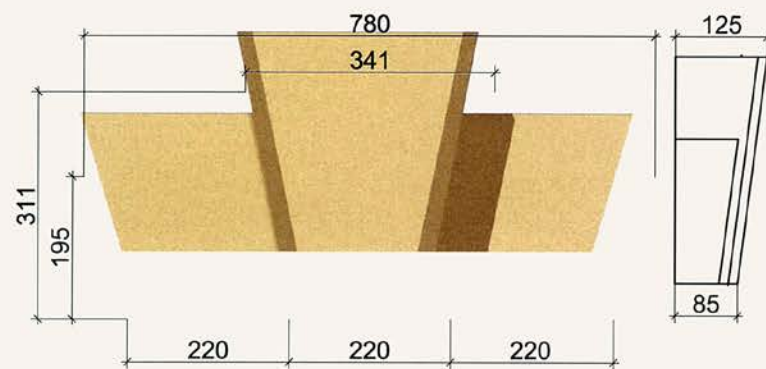
Zk-02



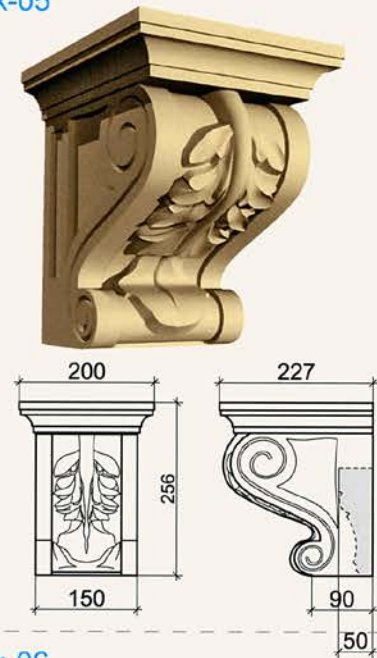
Zk-03



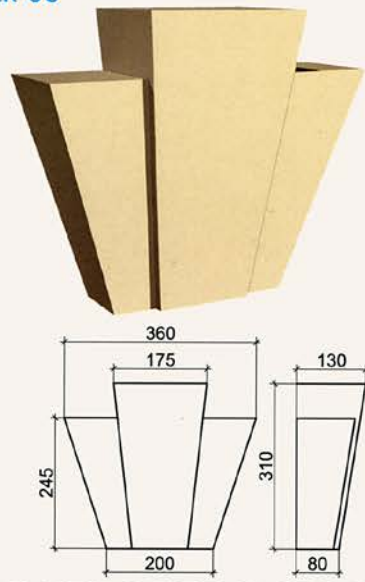
Zk-04



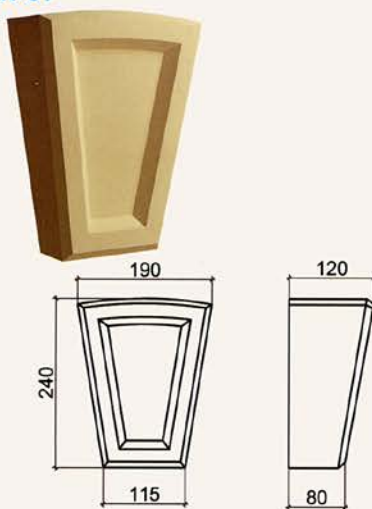
Zk-05



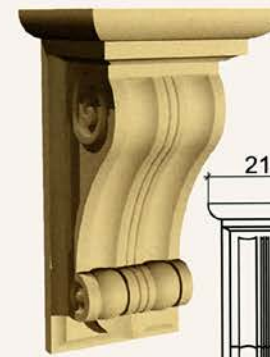
Zk-06



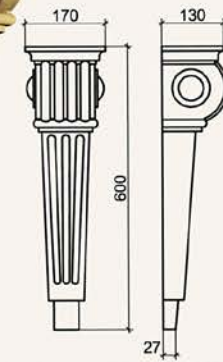
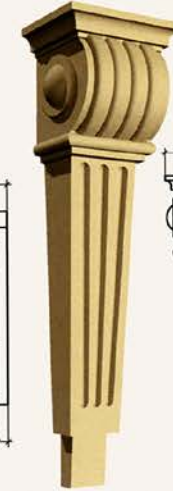
Zk-07



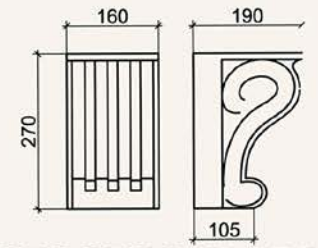
Bracket D-01



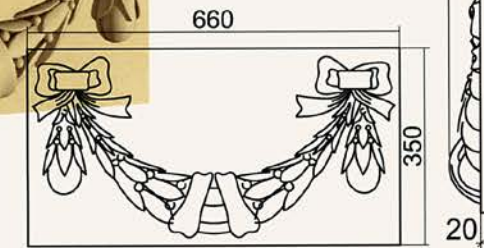
Bracket D-02



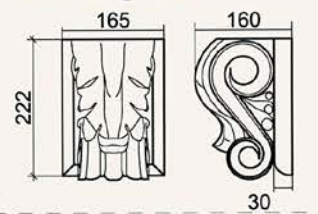
Bracket weather-strip D-03



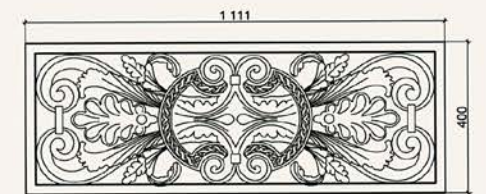
Decoration D-03



Bracket weather-strip D-04



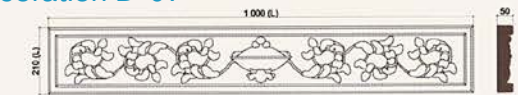
Decoration D-05



Decoration D-06



Decoration D-07



Decoration D-08



OK-1



OK-2



OK-6



OK-7



OK-3



OK-4



OK-8



OK-9



OK-5 (handmade)



OK-5 (from segment)



OK-10



OK-11

