

Forest  Lux

PVC sliding systems Forest Lux

Tilt-sliding system



Technical features

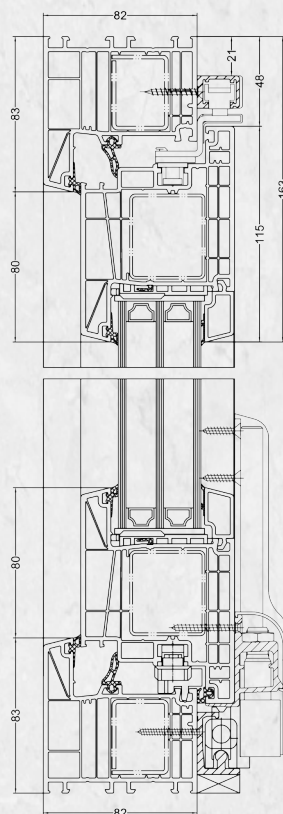
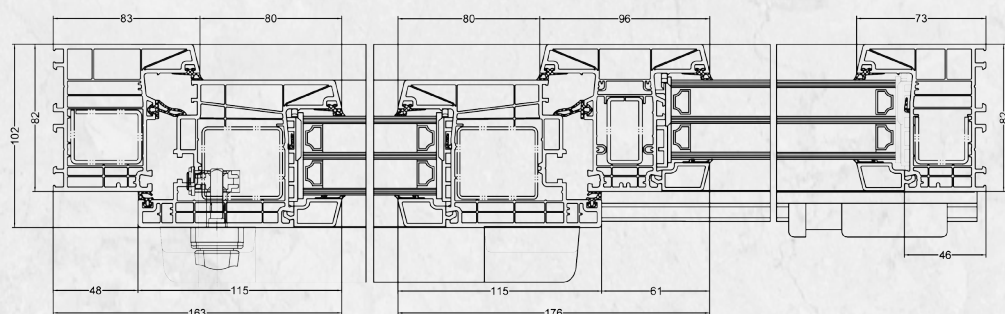
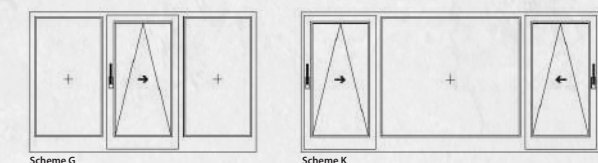
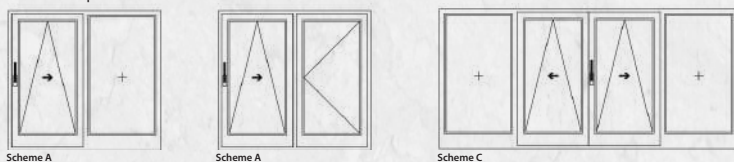
Possible height of the construction –
from 690 mm till 2410 mm

possible width –
from 680 mm till 2040

weight –
from 130 till 200 kg

Tilt-sliding system is ideal by full opening and at the same time leaves much space in the opened mode. There is possible to have one or more opening leaves. At the same time they are absolutely sealed and, despite on its big weight, they are easy to run. Tilt-sliding system is a fine decoration of classical and modern interior. Such a system is good for balcony, terrace exit and for winter gardens.

Schemes of possible constructions. Schemes from A till K



Lift-sliding system



Technical features :

possible height –
till 2700 mm
(for colored profiles –
till 2400)

possible width –
till 6000 mm
(for colored profiles –
till 5000 mm)

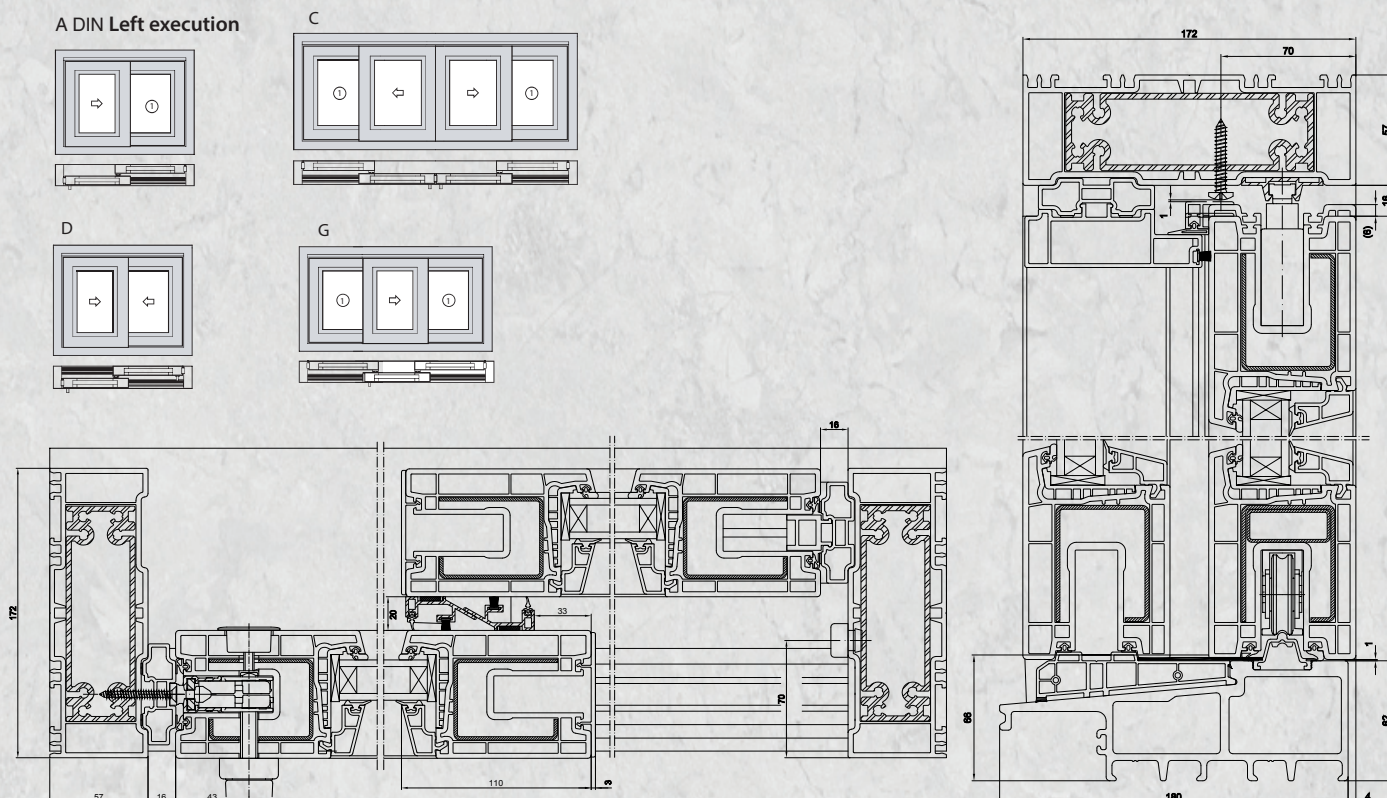
possible width of a leaf –
up to 3000 mm
(for colored profiles –
up to 2500 mm)

weight up to 250 kg

Lift-sliding system is ideal to close large window opening. The design feature of a drive system allows to run the sashes easily and the system of a contour locking ensures full sound closing.

a construction may be equipped with an electric drive (scheme A and C). The electric drive allows to open and to close a sash and to set it into a ventilation .

Lift- sliding system is good for balcony, terrace exit , open area , cafe, restaurant.



Slide - fold system



Technical features

width of a leaf –
from 490 mm till 940 mm

Height of a leaf –
from 640 mm till 2400 mm

length of a rail –
till 6 m

Weight
up to 80 kg:

Thanks constructive solutions, all the door elements in sliding systems like "fold system" can be slided in different directions with different combinations, thereby allowing completely to open the room. This construction can be made with threshold Comfort

Sliding system like "fold system " will become a decoration of classical and modern interior. Such a system is ideal for balcony, terrace, an outdoor café or restaurant. Especially popular is the "fold system" designing out-of-town houses and cottages.

